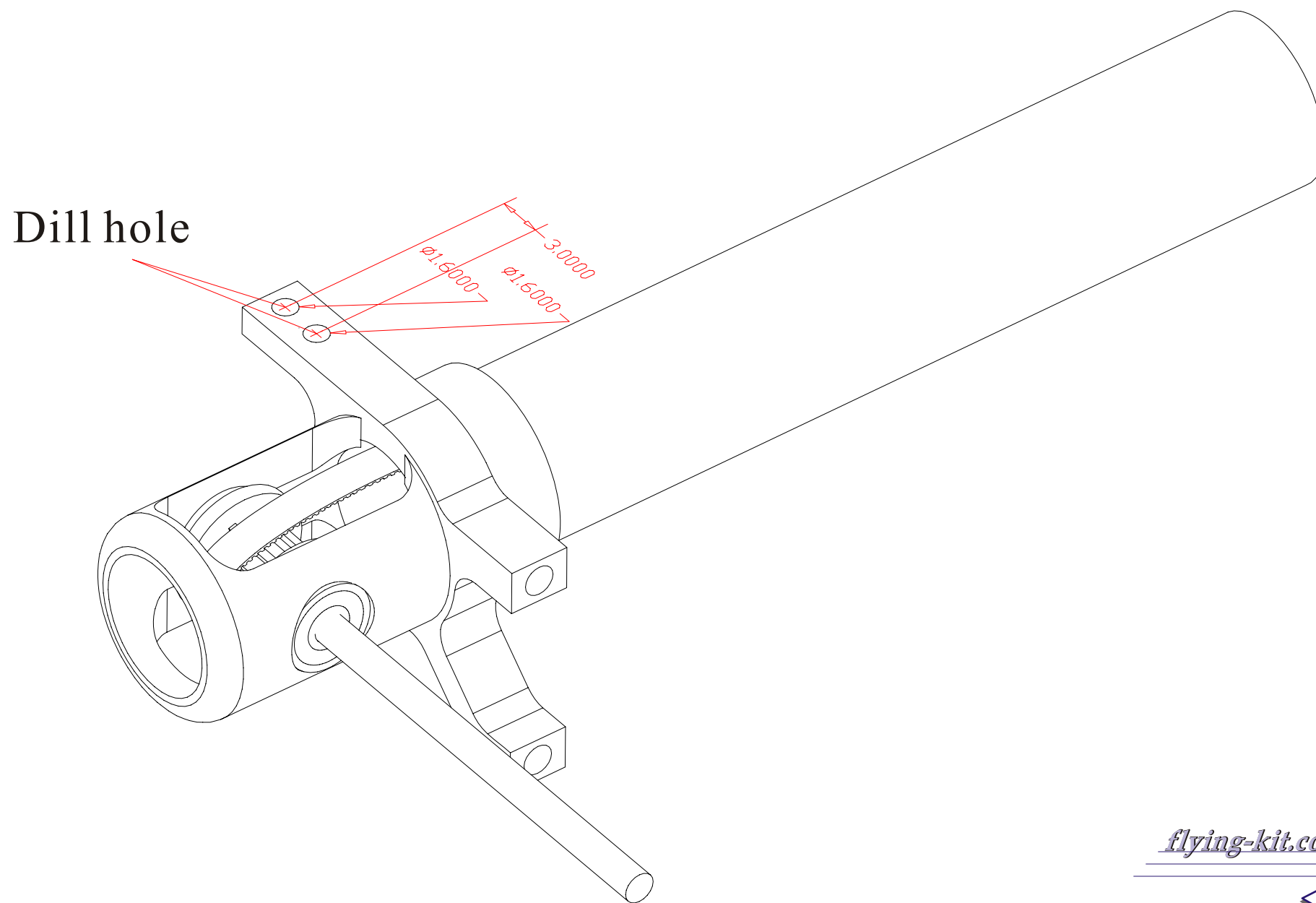


Tail upgraded parts

1

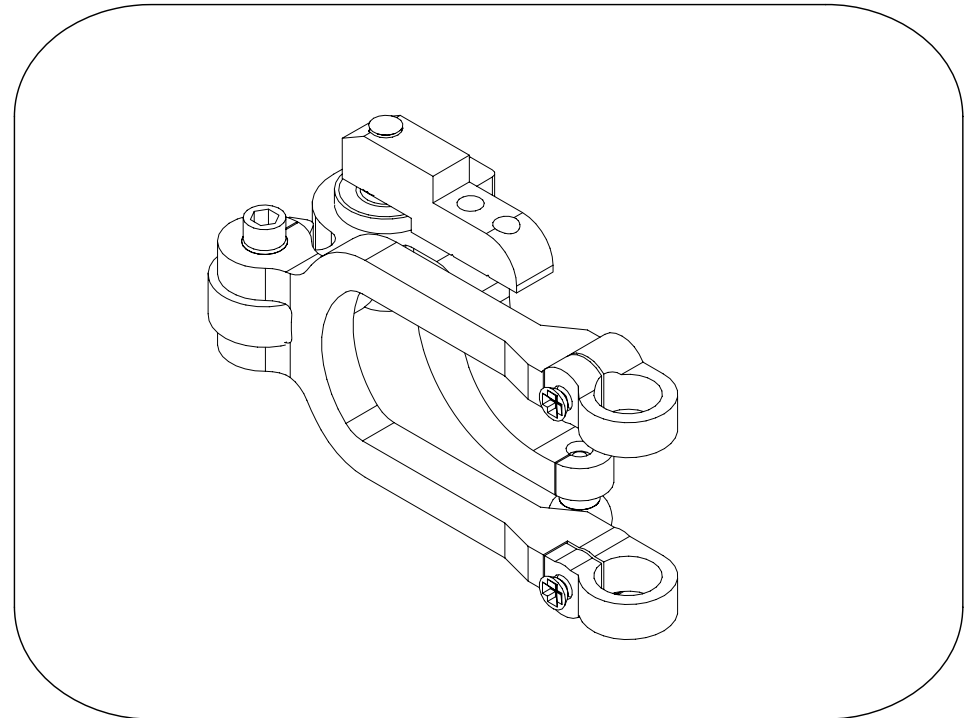
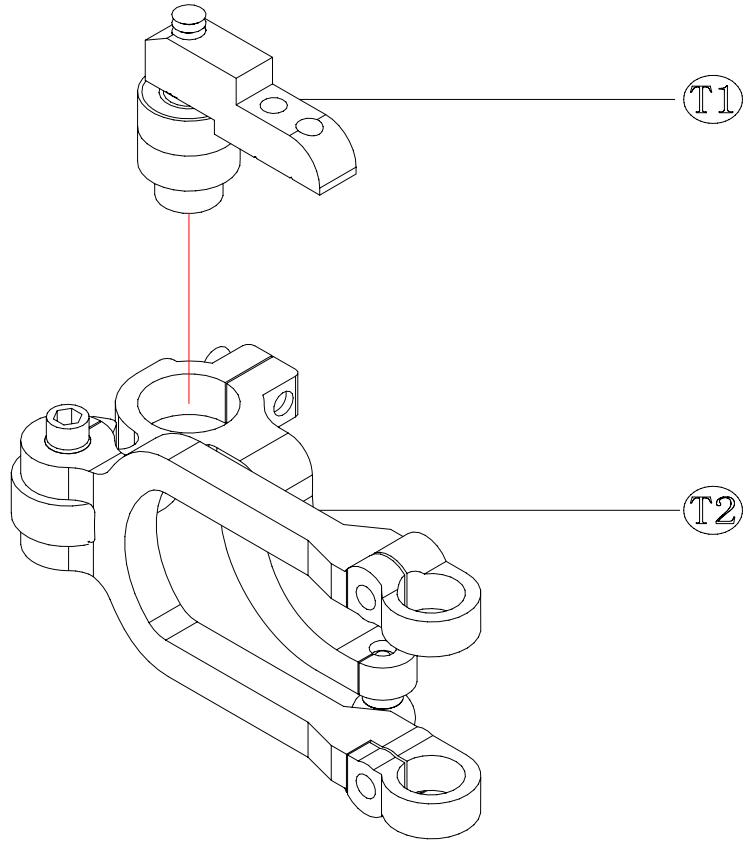


Tail upgraded parts assembly

2

Part No	Model	Part Name	Quantity	Standard
T1	TUP002	Tail Angel Adjusting Stand	1	

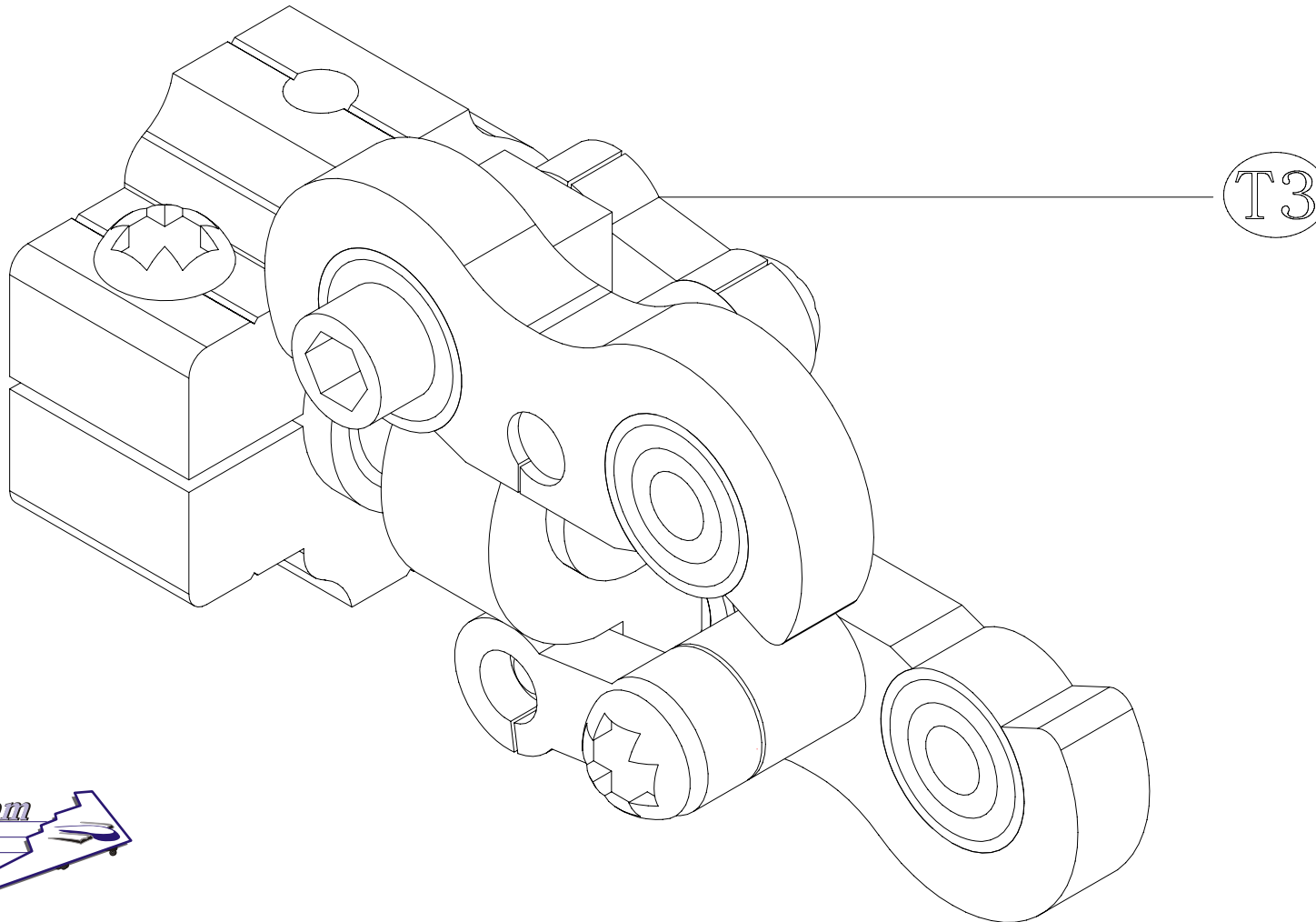
Part No	Model	Part Name	Quantity	Standard
T2	TUP002	Tail Angel Adjusting set	1	



Tail upgraded parts assembly

3

Part No	Model	Part Name	Quantity	Standard
T3	TUP002	Sliding shift set	1	

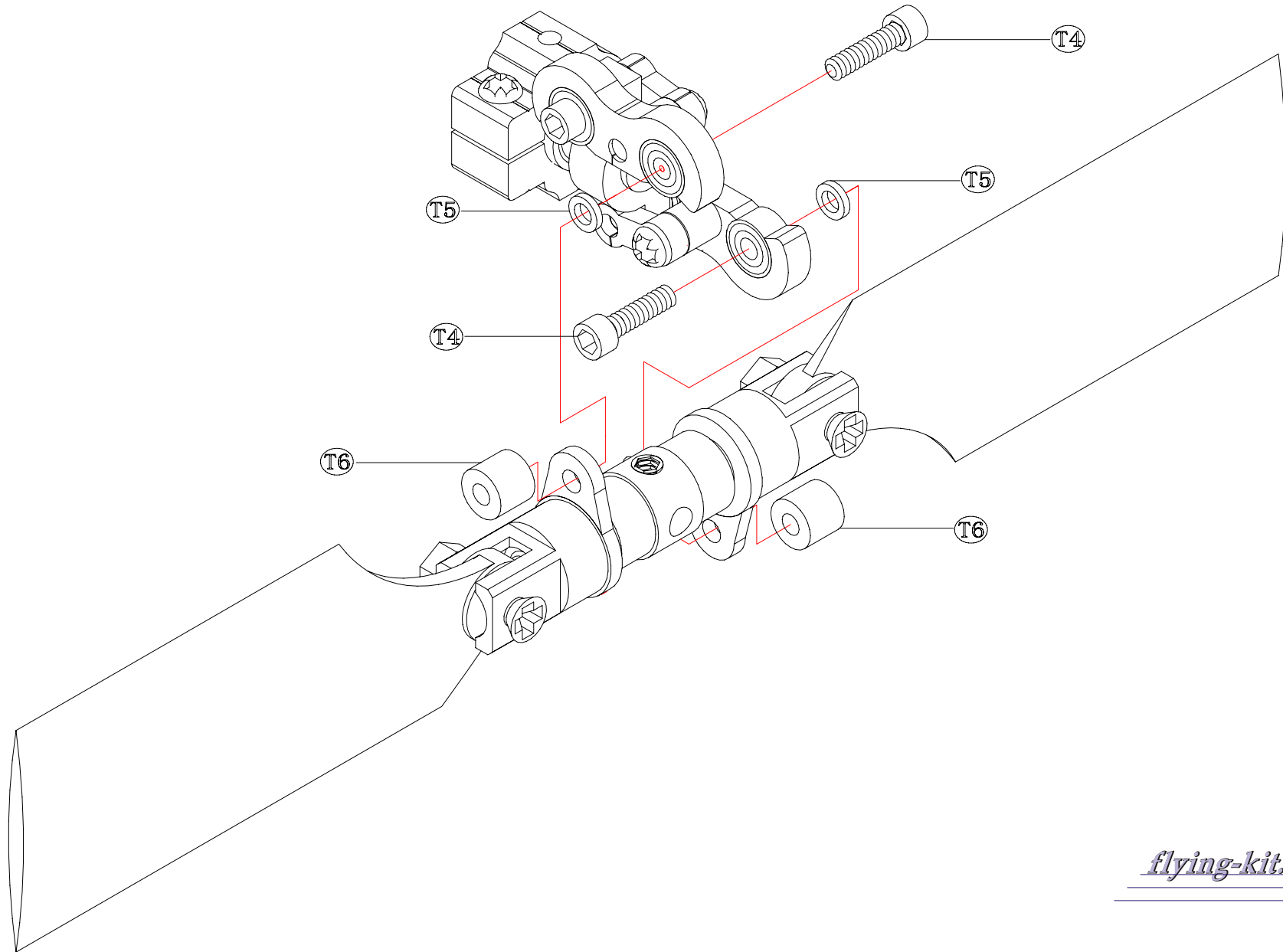


Tail upgraded parts assembly

4

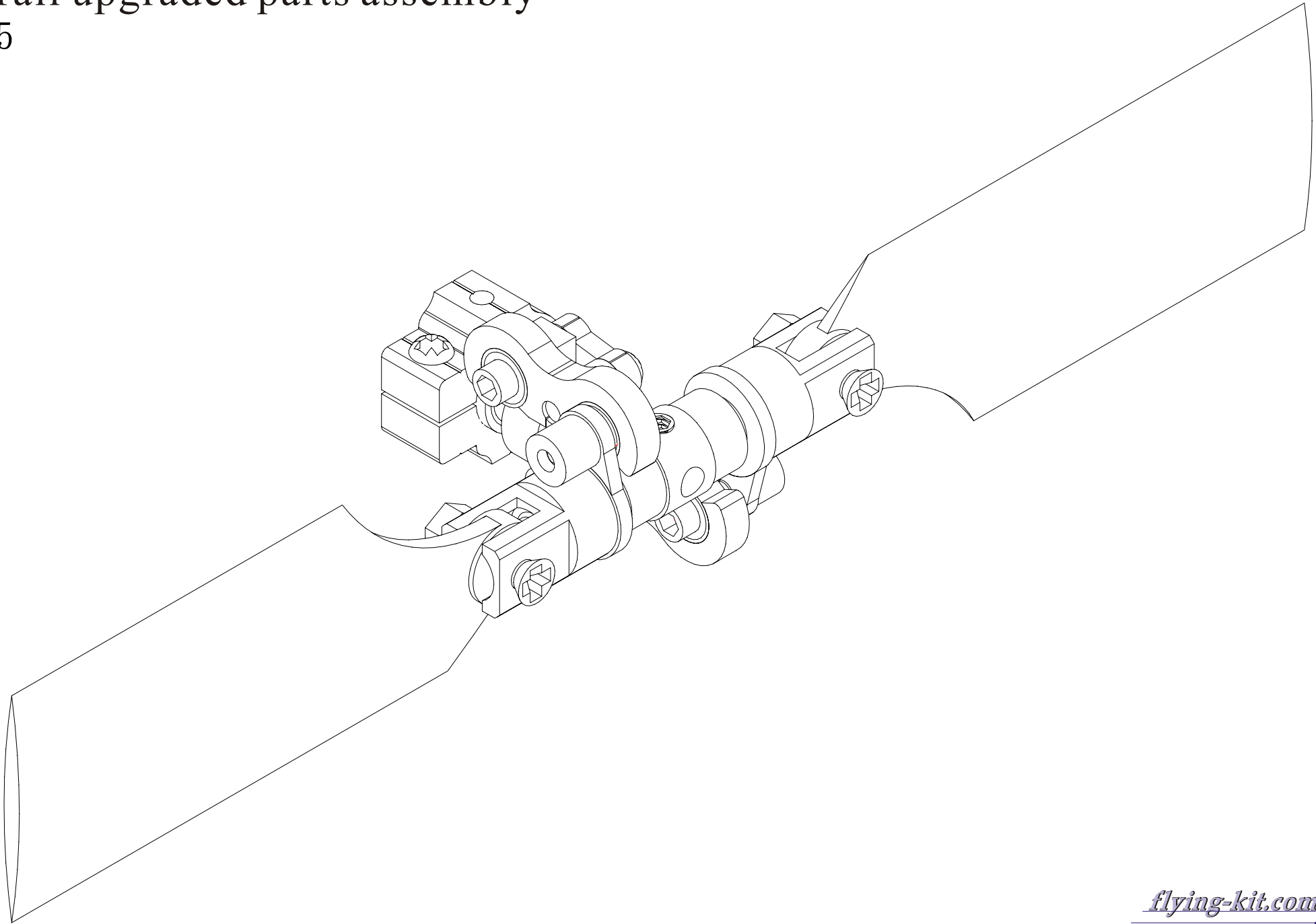
Part No	Model	Part Name	Quantity	Standard
T4	SJ2002	Cap Screw	2	M1.5 x 7mm
T5	AL2024	Underlay	2	01.5x02.5x0.5mm

Part No	Model	Part Name	Quantity	Standard
T6	AL2042	Underlay	2	M1.5 x 3.5x3



Tail upgraded parts assembly

5

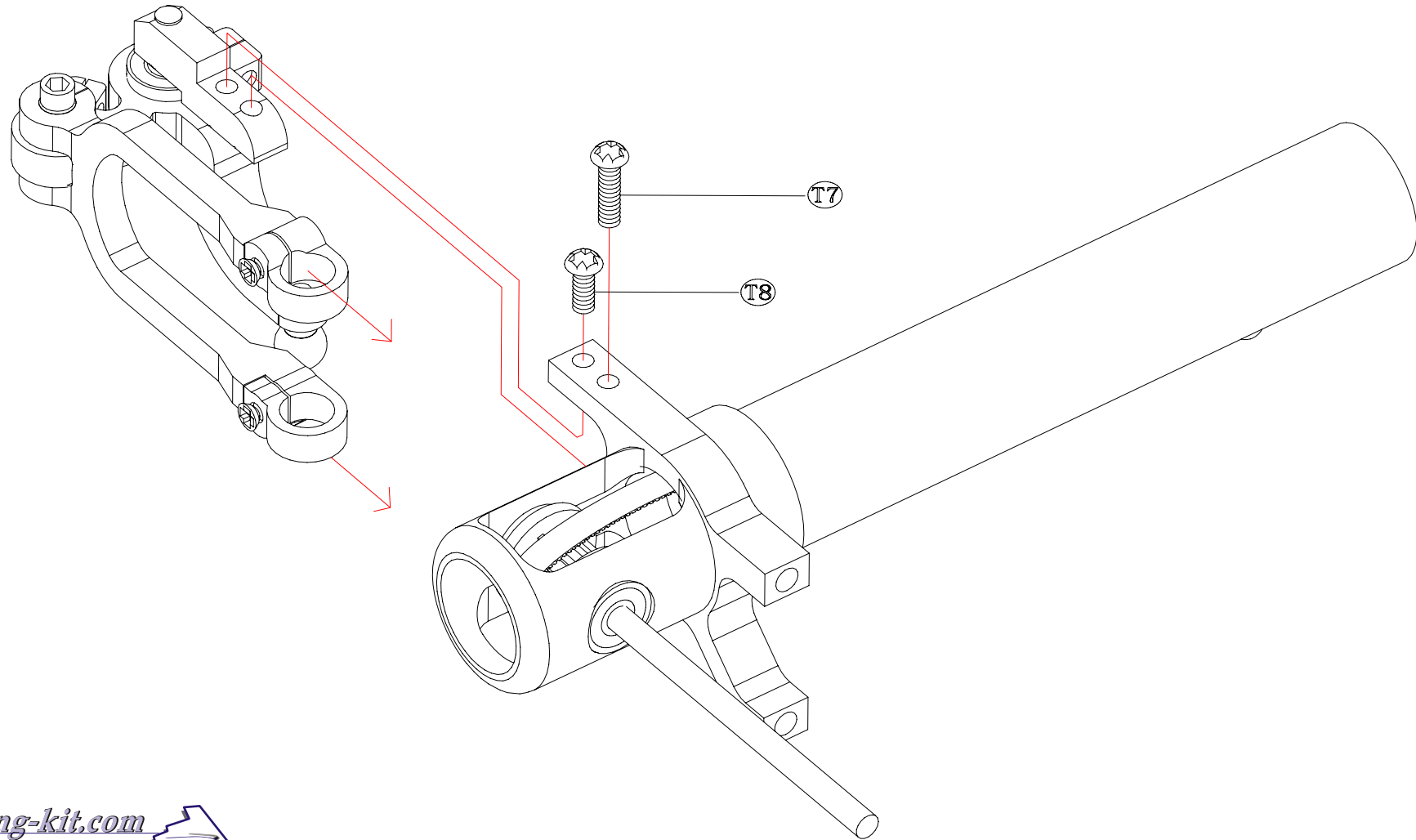


Tail upgraded parts assembly

6

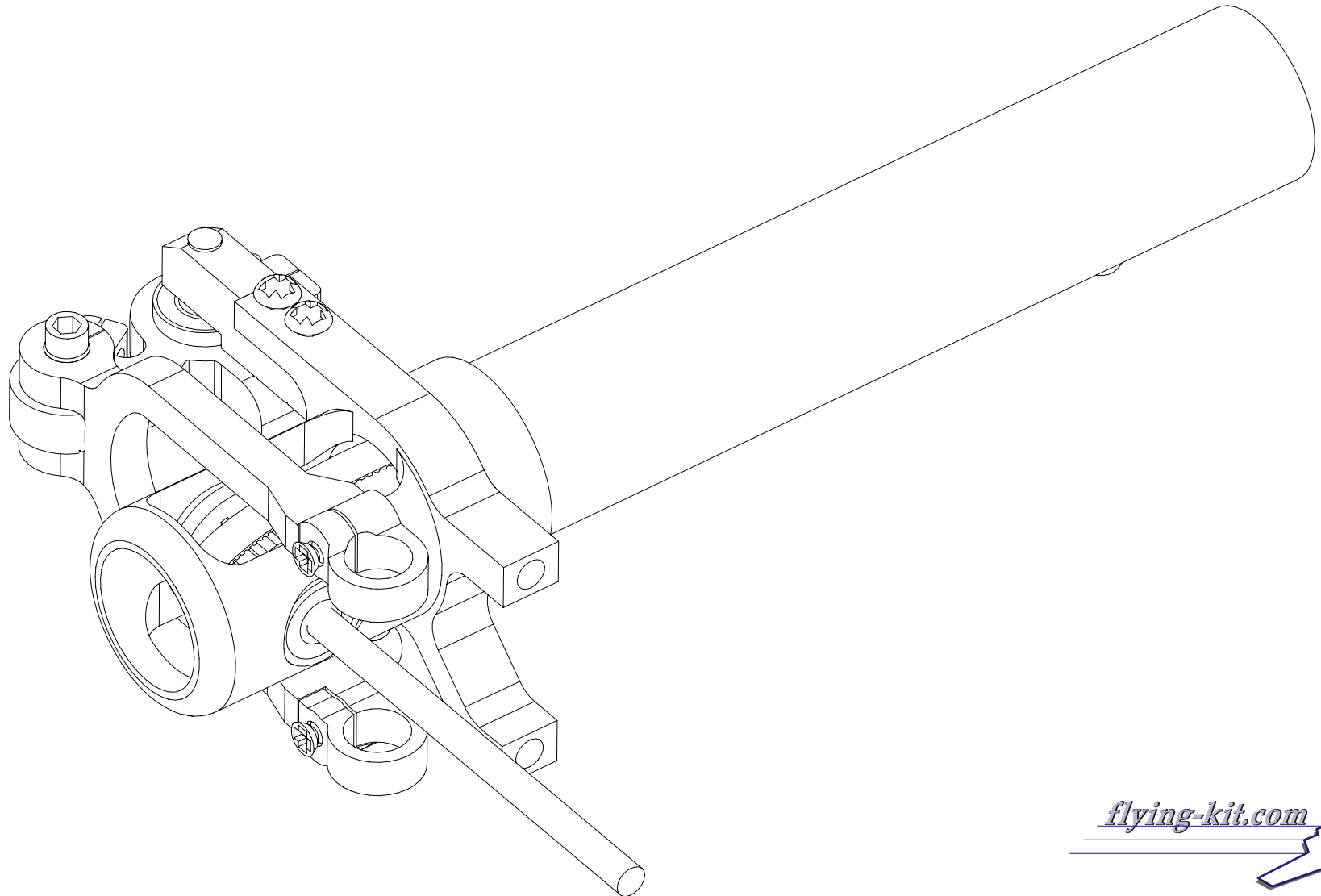
Part No	Model	Part Name	Quantity	Standard
T7	SJ40001	Half Moon Counter Sink Screw	2	M1.6x6

Part No	Model	Part Name	Quantity	Standard
T8	SJ2004	Half Moon Counter Sink Screw	1	M1.6 x 4



Tail upgraded parts assembly

7



flying-kit.com

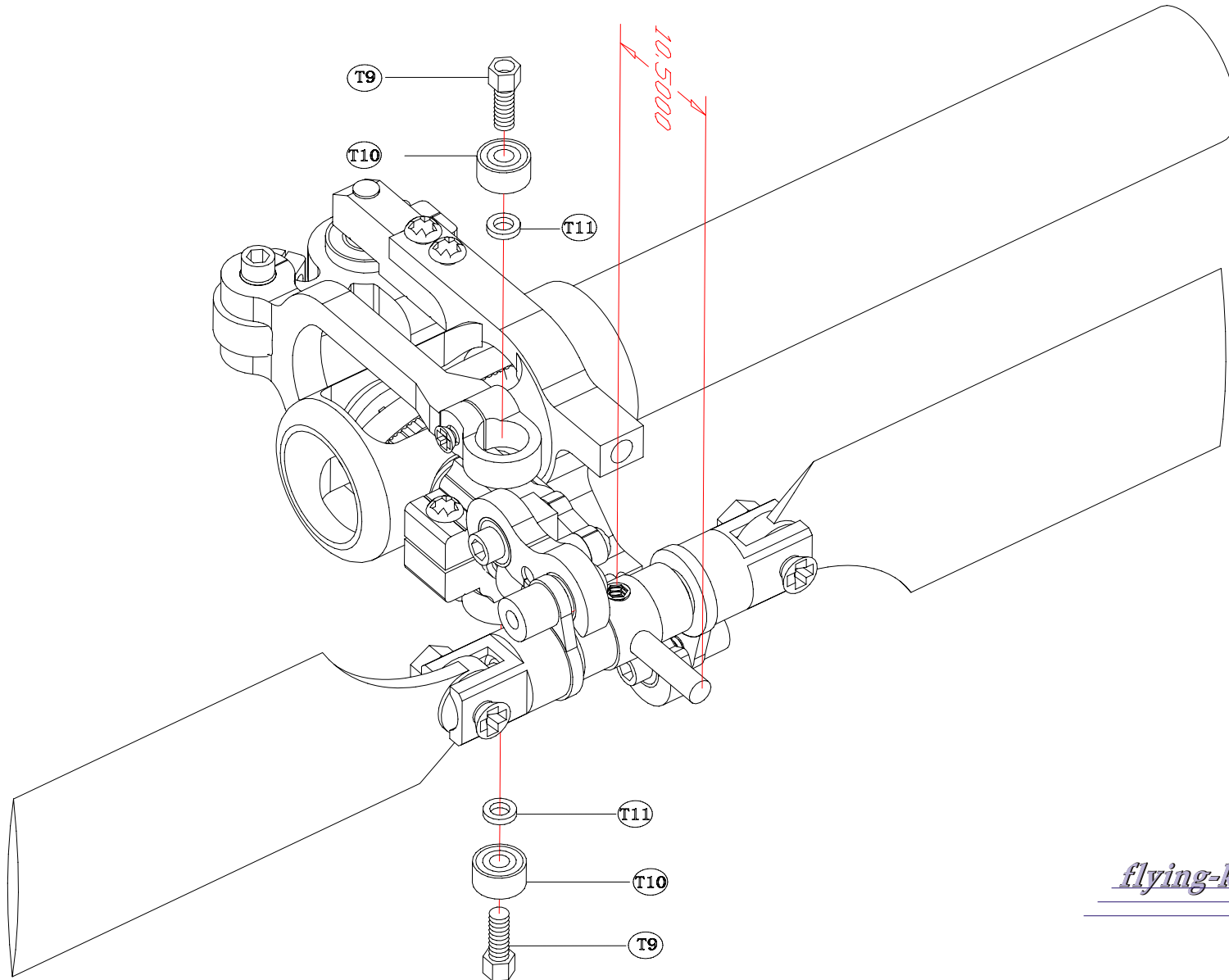


Tail upgraded parts assembly

8

Part No	Model	Part Name	Quantity	Standard
T9	SJ20001	Crap Screw	2	M1.5x4mm
T10	SJ10007	Bearing	2	0.15x04x2mm

Part No	Model	Part Name	Quantity	Standard
T11	AL2024	Underlay	2	01.5x02.5x0.5mm



Tail upgraded parts assembly

9

Part No	Model	Part Name	Quantity	Standard
T12	AL2043	Tail Servo Linkage Rod Holder	1	M1.5x4mm

Part No	Model	Part Name	Quantity	Standard
T13	SJ4002	Half Moon Counter Sink Screw	1	M1.6x4

